

SONY

User guide

Micro USB Charging Dock
DK52

Contents

Micro USB Charging Dock User guide.	3
Introduction.	4
About the Micro USB Charging Dock.	4
Using the Micro USB Charging Dock.	5
Using the attachments.	5
Charging.	5
Legal information.	7
Declaration of Conformity for DK52.	7

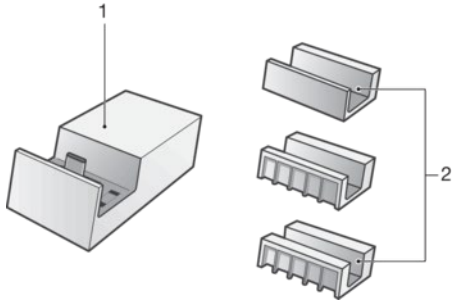
Micro USB Charging Dock User guide



Introduction

About the Micro USB Charging Dock

The Micro USB Charging Dock is a charging accessory designed for Xperia™ phone. It positions your phone at a comfortable viewing angle so that you can easily browse content while your phone is charging.



1 Charging dock

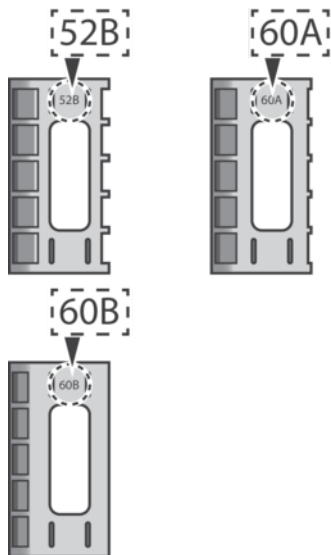
2 Attachments for holding your phone in place

- ! The Micro USB Charging Dock is not bundled for sale with a phone or charger. You must purchase it separately. Before use, remove the protective plastic film from the accessory.

Using the Micro USB Charging Dock

Using the attachments

Three attachments of different widths come with your Micro USB Charging Dock. Each attachment can fit into the Micro USB Charging Dock and hold your phone in place while it's charging. You need to select the appropriate attachment for your phone before placing it in the Micro USB Charging Dock.

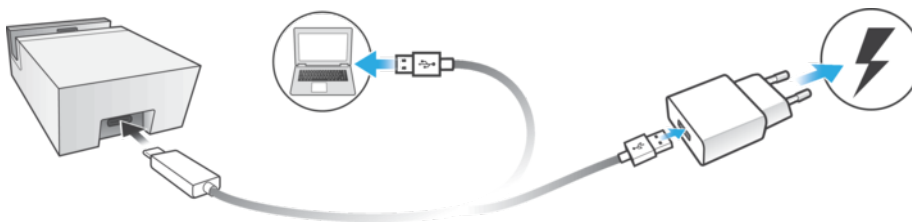


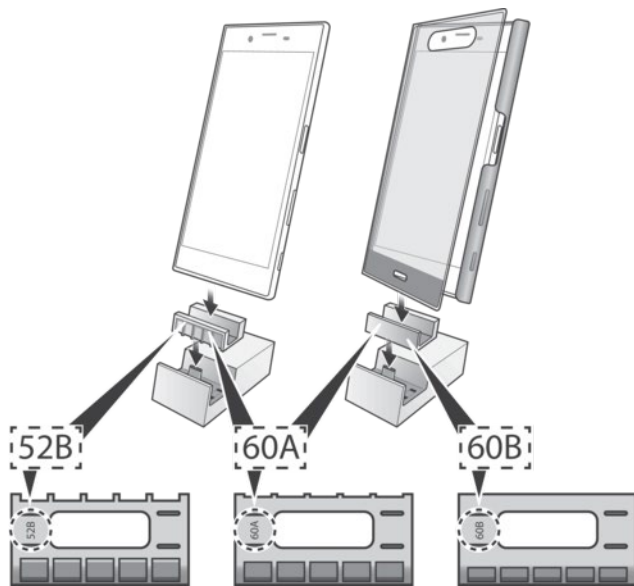
Attachment type	Supported device
52A	Xperia™ Z3+/Z3+ Dual/Z4
52B	Xperia™ Z4/M5/M5 Dual/C5 Ultra/C5 Ultra Dual/Z5/Z5 Dual/Z5 Premium/Z5 Premium Dual Xperia™ Z3+/Z3+ Dual/Z4 with protective case
52C	Xperia™ Z5 Compact Xperia™ Z4/M5/M5 Dual/C5 Ultra/C5 Ultra Dual/Z5/Z5 Dual/Z5 Premium/Z5 Premium Dual with protective case Xperia™ Z3+/Z3+ Dual/Z4 with thick protective case

! Some protective cases may not be compatible with the attachments.

Charging

To charge your phone using the Micro USB Charging Dock





- 1 Plug one end of the charger cable into the charging dock, then plug the other end into the USB port of a computer or a phone charger. If you are using a phone charger, plug the charger into a power outlet.
 - 2 Insert the required attachment into the charging dock.
 - 3 Place your phone in the dock in such a way that the charging dock connector on the phone makes contact with the connector in the dock.
- ! If you aren't sure of the location of the charging dock connector on your phone, refer to the relevant phone Userguide.

Legal information

Sony DK52

Prior to use, please read the *Important information* leaflet separately provided.

This User guide is published by Sony Mobile Communications AB or its local affiliated company, without any warranty. Improvements and changes to this User guide necessitated by typographical errors, inaccuracies of current information, or improvements to programs and/or equipment, may be made by Sony Mobile Communications AB at any time and without notice. Such changes will, however, be incorporated into new editions of this User guide.

All rights reserved.

©2015 Sony Mobile Communications Inc.

Sony is the trademark or registered trademark of Sony Corporation.

All product and company names mentioned herein are the trademarks or registered trademarks of their respective owners. Any rights not expressly granted herein are reserved. All other trademarks are property of their respective owners.

Visit www.sonymobile.com for more information.

All illustrations are for illustration only and may not accurately depict the actual accessory.

Declaration of Conformity for DK52

We, Sony Mobile Communications AB of

Nya Vattentorget

SE-221 88 Lund, Sweden

declare under our sole responsibility that our product

Sony type AI-0051

and in combination with our accessories, to which this declaration relates, is in conformity with the appropriate standards **EN 301 489-7:V1.3.1** and **EN 60950-1:2006+A11:2009+A1:2010+A12:2011** following the provisions of EMC directive **2008/108/EC**, Low voltage directive **2006/95/EC**.

Lund, March 2015



A handwritten signature in black ink, appearing to read 'Pär Thuresson', is written over a horizontal line.

Pär Thuresson

Quality Officer, SVP, Quality & Customer Services

FCC Statement

This device complies with Part 15 of the FCC rules. Operation is subject to the following two conditions: (1) This device may not cause harmful interference, and (2) This device must accept any interference received, including interference that may cause undesired operation.

Any change or modification not expressly approved by Sony may void the user's authority to operate the equipment.

This equipment has been tested and found to comply with the limits for a Class B digital device, pursuant to Part 15 of the FCC Rules. These limits are designed to provide reasonable protection against harmful interference in a residential installation. This equipment generates, uses and can radiate radio frequency energy and, if not installed and used in accordance with the instructions, may cause harmful interference to radio communications. However, there is no guarantee that interference will not occur in a particular installation.

If this equipment does cause harmful interference to radio or television reception, which can be determined by turning the equipment off and on, the user is encouraged to try to correct the interference by one or more of the following measures:

- Reorient or relocate the receiving antenna.
- Increase the separation between the equipment and receiver.
- Connect the equipment into an outlet on a circuit different from that to which the receiver is connected.
- Consult the dealer or an experienced radio/TV technician for help.

Industry Canada Statement

This device complies with RSS-210 of Industry Canada.

Operation is subject to the following two conditions: (1) this device may not cause interference, and (2) this device must accept any interference, including interference that may cause undesired operation of the device.

This Class B digital apparatus complies with Canadian ICES-003.

Avis d'industrie Canada

Le présent appareil est conforme aux CNR d'Industrie Canada applicables aux appareils radio exempts de licence.

L'exploitation est autorisée aux deux conditions suivantes: (1) l'appareil ne doit pas produire de brouillage, et, and (2) l'utilisateur de l'appareil doit accepter tout brouillage radioélectrique subi, même si le brouillage est susceptible d'en compromettre le fonctionnement.

Cet appareil numérique de la classe B est conforme à la norme NMB-003 du Canada.